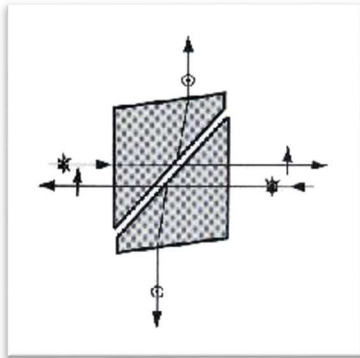
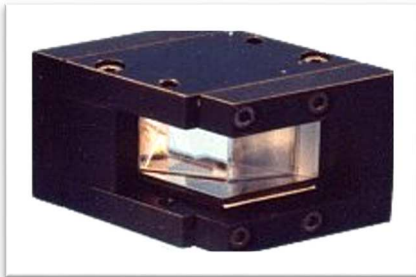


LEYSOP LTD

Manufacturers and suppliers of electro-optic components

Glan-Taylor Polarizer with Orthogonal Output Side Exit Escape Windows



Air spaced design

High power handling

Wide transmission range

High extinction ratio

AR coating options

The Glan-Taylor polarizer produces a high extinction ratio with low reflection losses and a high power handling capability. It is therefore particularly useful for polarizing laser light. In this novel design, two side exit windows give orthogonal output escape beams and the mechanical mount gives a high degree of protection to all four optical surfaces.

Polarizer	GLBS 10	GLBS 12	GLBS 16
Aperture	10mm	12mm	15mm
Spectral Range	250-2500nm		
Extinction Ratio	$\geq 10^{-5}$		
Maximum Beam Deviation	3 min		
Transmission	88% (uncoated) 93-95% (ar-coated)		
Surface Flatness	1/6 @ NaD		
Maximum Optical Power	150W/cm ² (av) – 300MW/cm ² (pulsed)		
Overall Dimensions:			
Height	23mm	25mm	28mm
Width	24mm	27mm	30mm
Length	40mm	48mm	55mm

Leysop Ltd. 18, Repton Close, Basildon, Essex SS13 1LN England

Telephone/Fax: +44 (0) 1268 522111. email: sales@leysop.com

www.leysop.com