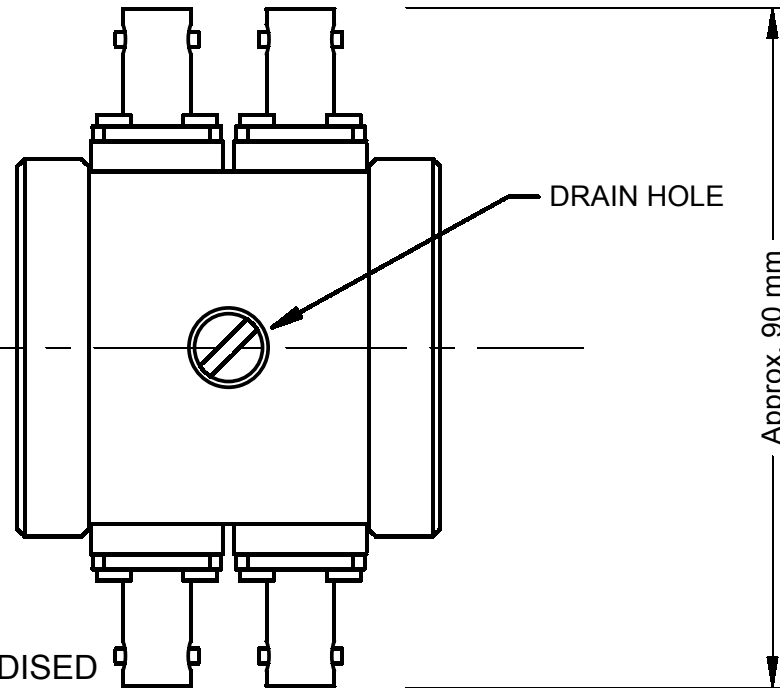
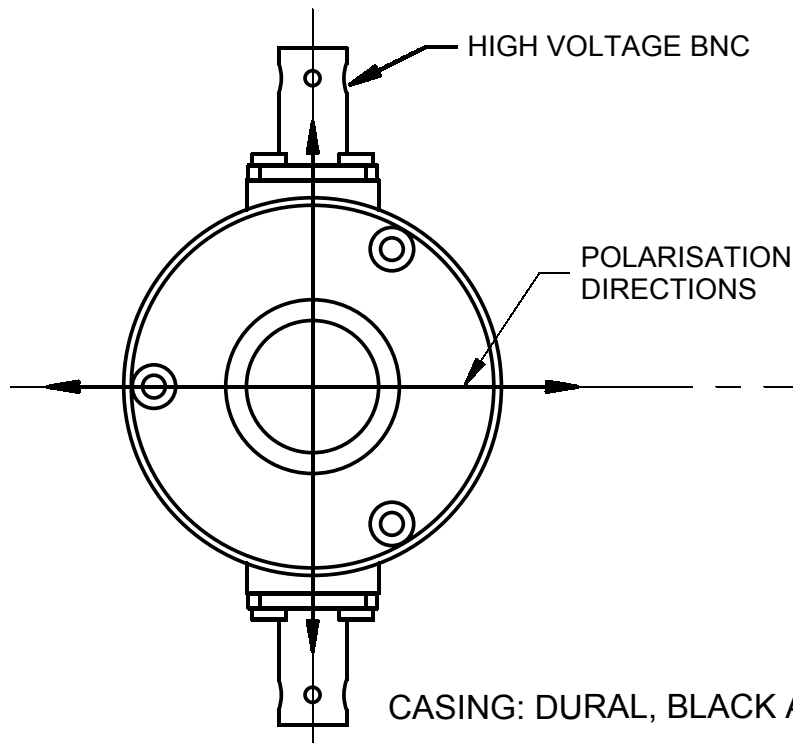
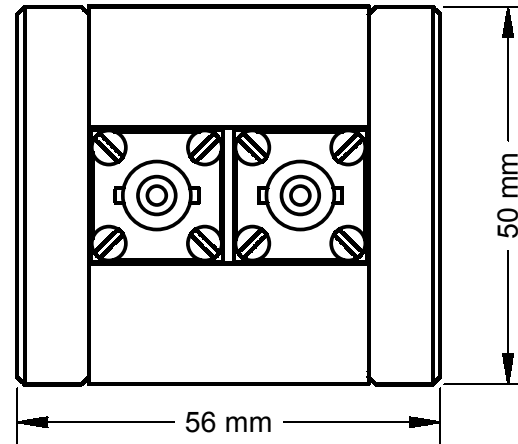


DRAWING FOR INFORMATION PURPOSES ONLY  
 DOES NOT FORM A PART OF ANY SPECIFICATION  
 IMPLIED OR OTHERWISE

DO NOT SCALE DRAWING

COMPONENT MAY BE CONFIGURED  
 WITH 1, 2, OR 4 CONNECTORS  
 4 CONNECTOR VERSION SHOWN

DESIGN SUBJECT TO CHANGE WITHOUT NOTICE



**LEYSOP**

EM508/510/512 Q-SWITCH INTERFACE  
 DRAWING

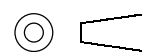
Scale  
 1:1

Drawn  
 SJP

Approved

Issue  
 2

Date  
 24/10/01



Drawing No.  
 45 (part 4)

Tolerances Unless  $\pm 0.1$   
 Otherwise Stated