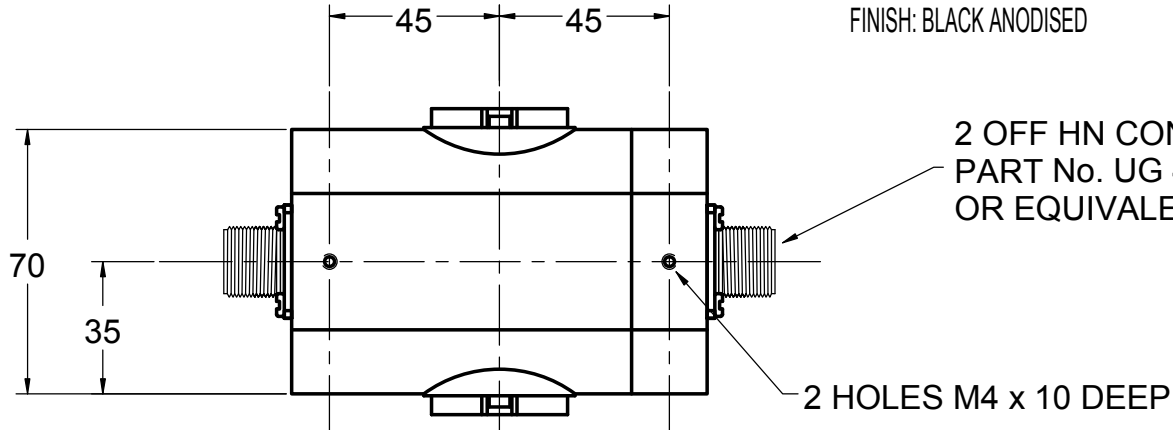


CASING MATERIAL: AEROSPACE GRADE ALUMINIUM ALLOY
 FINISH: BLACK ANODISED

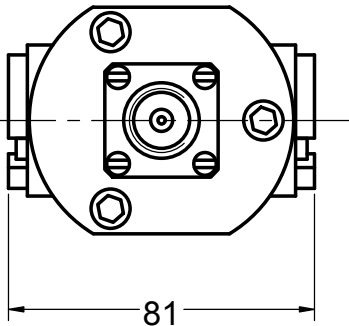
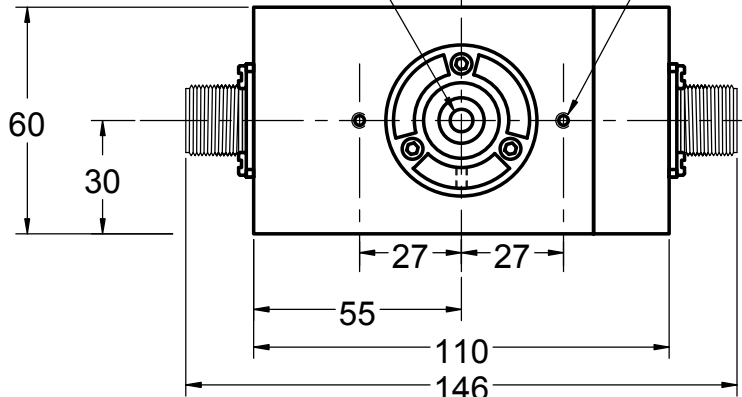


2 OFF HN CONNECTORS
 PART No. UG 496/U
 OR EQUIVALENT

2 HOLES M4 x 10 DEEP

6mm OPTICAL APERTURE

2 HOLES M4 x 12 DEEP



LEYSOP

ULTRA FAST POCKELS CELL
 (UPC068) - INTERFACE DIAGRAM

Scale 1:2	Drawn S. PAYNE	Approved P. FRANKS	Issue 2	Date 16/04/12
⊙	Drawing No. 82	Dims. mm	Tolerances Unless Otherwise Stated ±0.1	