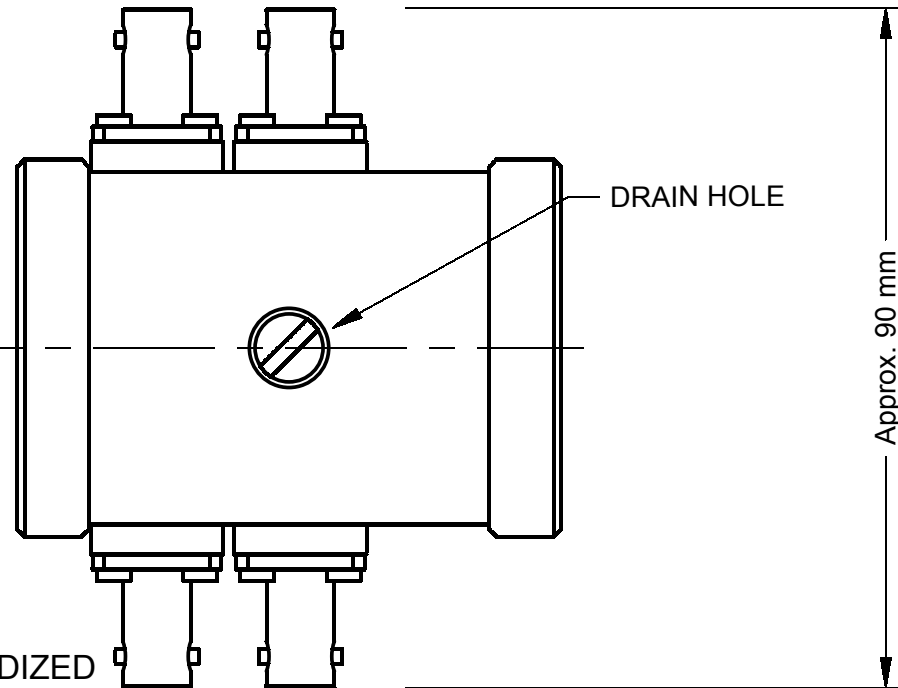
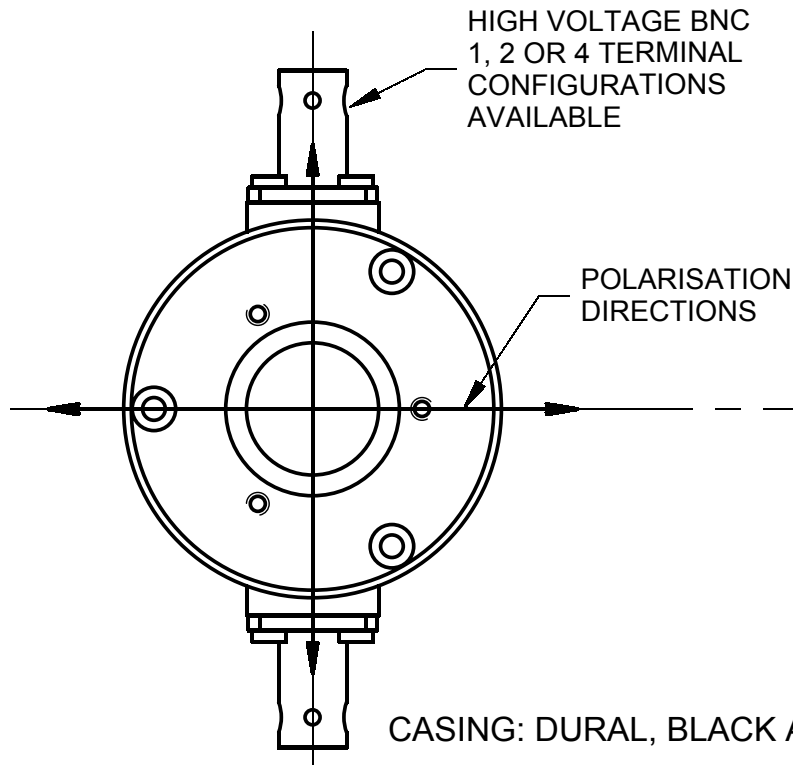
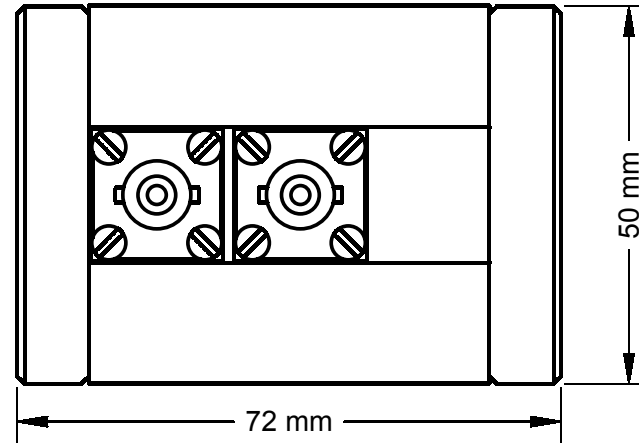


DRAWING FOR INFORMATION PURPOSES ONLY
 DOES NOT FORM A PART OF ANY SPECIFICATION
 IMPLIED OR OTHERWISE

DO NOT SCALE DRAWING

DESIGN SUBJECT TO CHANGE WITHOUT NOTICE

INPUT POLARISATION PARALLEL OR ORTHOGONAL
 TO AXES OF CONNECTORS



CASING: DURAL, BLACK ANODIZED

LEYSOP

DOUBLE Q-SWITCH
 INTERFACE DRAWING

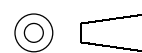
Scale
 1:1

Drawn
 S. PAYNE

Approved
 P. FRANKS

Issue
 1

Date
 24/10/01



Drawing No.
 131 Part 5

Tolerances Unless ± 0.1
 Otherwise Stated