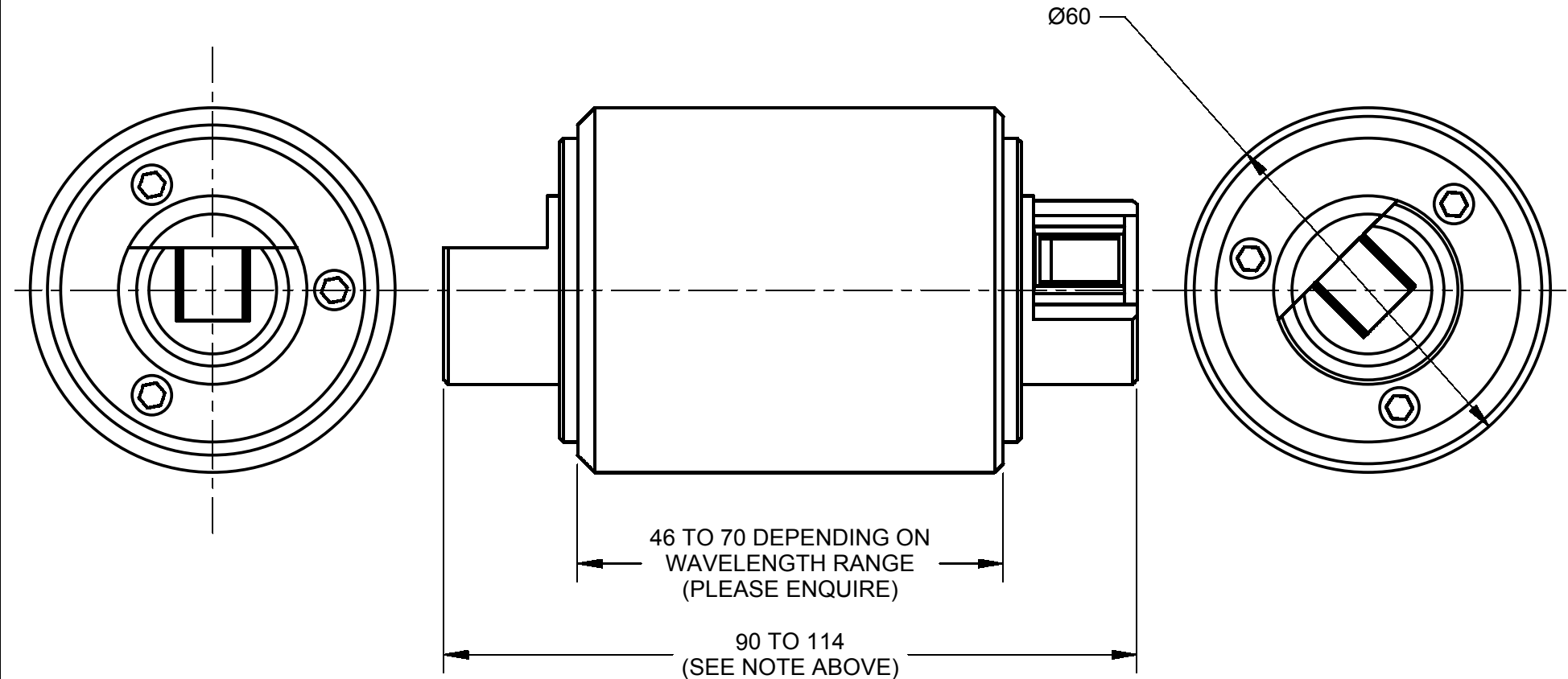


DRAWING FOR INFORMATION PURPOSES ONLY
 DOES NOT FORM A PART OF ANY SPECIFICATION
 IMPLIED OR OTHERWISE

DESIGN SUBJECT TO CHANGE WITHOUT NOTICE

DO NOT SCALE DRAWING

HOUSING MATERIAL: ALUMINIUM ALLOY, BLACK ANODISED



LEYSOP

FOI 5/57 FARADAY ISOLATOR
 INTERFACE DIAGRAM

Scale
 1:1

Drawn
 S. PAYNE

Approved
 P. FRANKS

Issue
 1

Date
 10/06/02



Drawing No.

Dims.
 mm

Tolerances Unless
 Otherwise Stated

±0.1