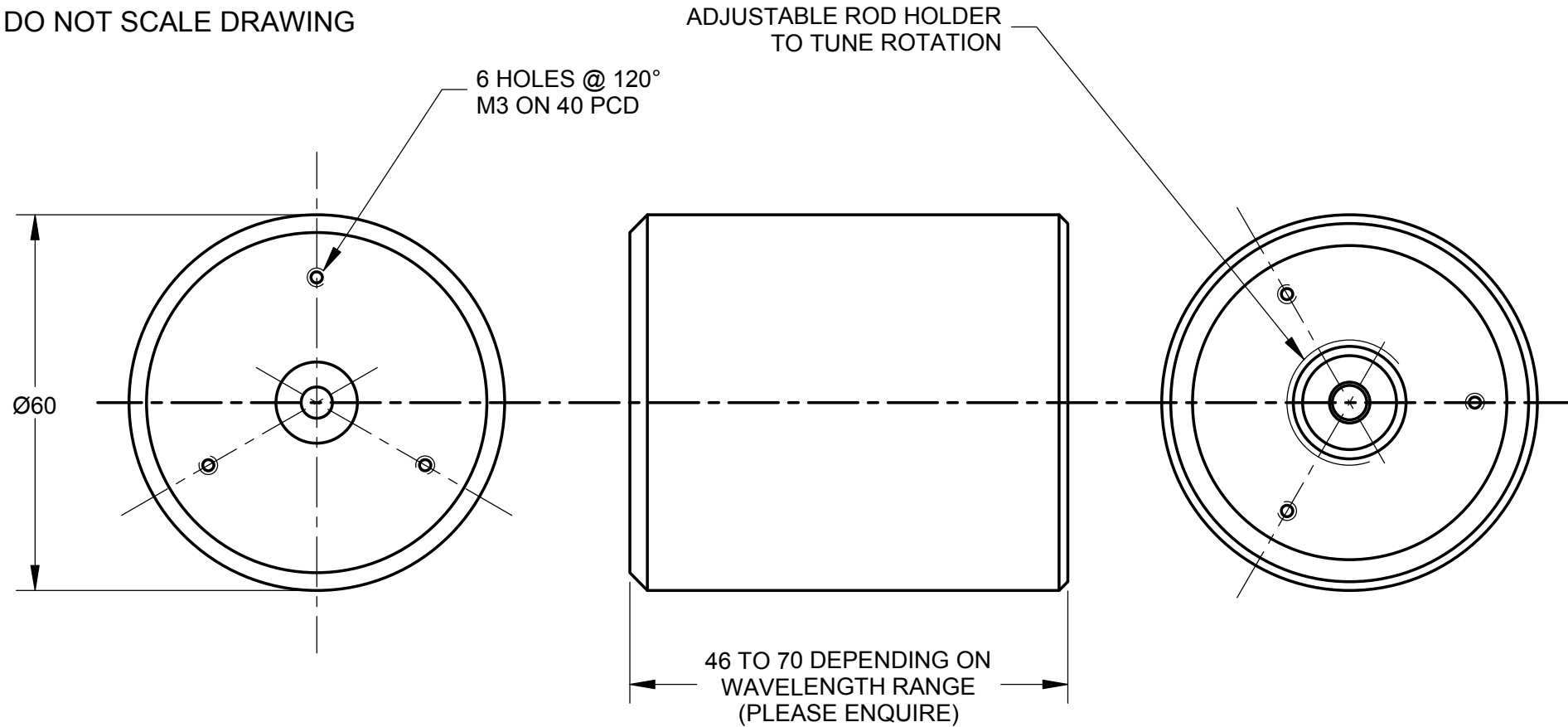


DRAWING FOR INFORMATION PURPOSES ONLY  
 DOES NOT FORM A PART OF ANY SPECIFICATION  
 IMPLIED OR OTHERWISE

DESIGN SUBJECT TO CHANGE WITHOUT NOTICE

DO NOT SCALE DRAWING



HOUSING MATERIAL: ALUMINIUM ALLOY, BLACK ANODISED

**LEYSOP**

FOI 5/57 FARADAY ROTATOR  
INTERFACE DIAGRAM

Scale  
1:1

Drawn  
S. PAYNE

Approved  
P. FRANKS

Issue  
1

Date  
10/06/02



Drawing No.

Dims.  
mm

Tolerances Unless  
Otherwise Stated ±0.1