

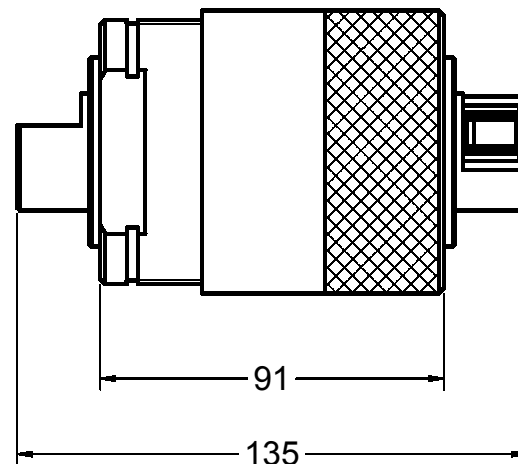
HOUSING MATERIAL: ALUMINIUM ALLOY
 FINISH: BLACK ANODISED

COMPONENT SHOWN AT APPROXIMATE
 EXTREMES OF ADJUSTMENT

DRAWING FOR INFORMATION PURPOSES ONLY
 DOES NOT FORM A PART OF ANY SPECIFICATION
 IMPLIED OR OTHERWISE

DESIGN SUBJECT TO CHANGE WITHOUT NOTICE

DO NOT SCALE DRAWING



LEYSOP

FOI 5/711 FARADAY ISOLATOR
 INTERFACE DIAGRAM

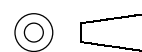
Scale
 1:2

Drawn
 S. PAYNE

Approved
 P. FRANKS

Issue
 1

Date
 06/06/02



Drawing No.
 33a

Dims.
 mm

Tolerances Unless
 Otherwise Stated

±0.1