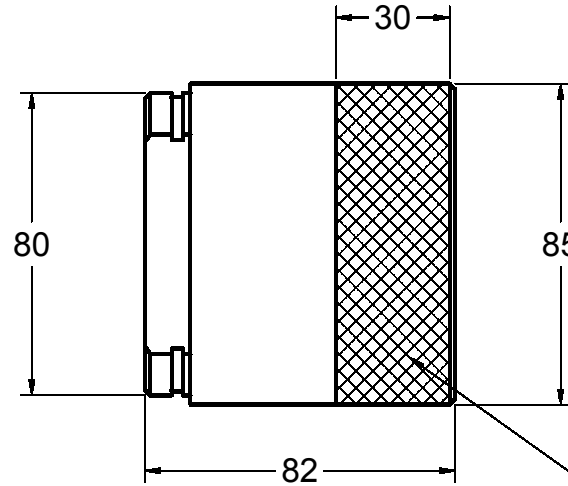
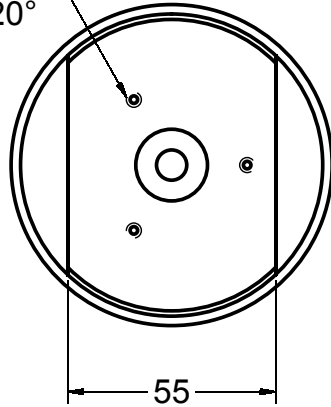
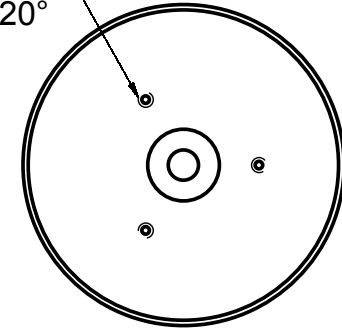


3 HOLES M4
ON 40 PCD
@120°



3 HOLES M4
ON 40 PCD
@120°



CROSS KNURL

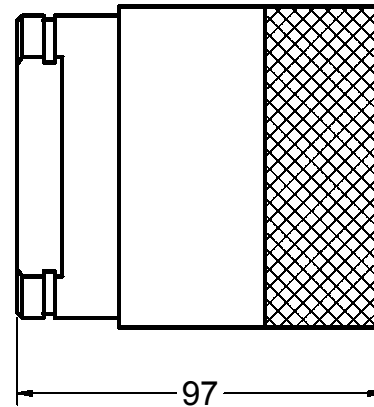
HOUSING MATERIAL: ALUMINIUM ALLOY
FINISH: BLACK ANODISED

COMPONENT SHOWN AT APPROXIMATE
EXTREMES OF ADJUSTMENT

DRAWING FOR INFORMATION PURPOSES ONLY
DOES NOT FORM A PART OF ANY SPECIFICATION
IMPLIED OR OTHERWISE

DESIGN SUBJECT TO CHANGE WITHOUT NOTICE

DO NOT SCALE DRAWING



LEYSOP

8mm APERTURE ROTATOR
INTERFACE DIAGRAM

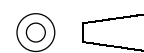
Scale
1:2

Drawn
S. PAYNE

Approved
P. FRANKS

Issue
1

Date
12/06/02



Drawing No.
126a

Dims.
mm

Tolerances Unless
Otherwise Stated

±0.1